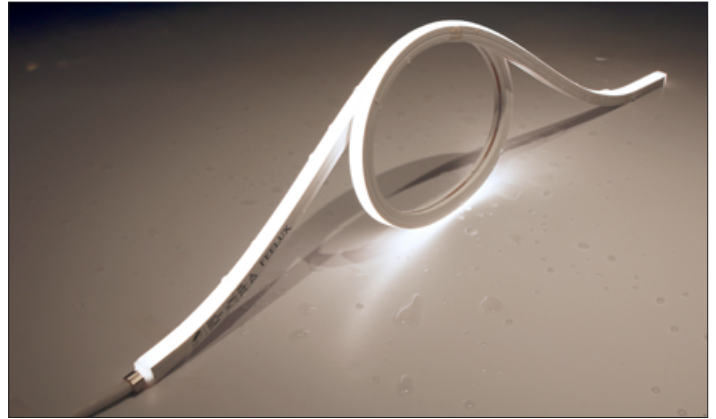


DATE	PROJECT	LOCATION	TYPE
------	---------	----------	------



PRODUCT FEATURES

- Seamless Spot-Free Illumination
- Ultra Slim Design
- Close Pitch LEDs
- Vertical Bending Flexibility
- Dimmable
- Optimized for Outdoor Use (IP 67 Rated)
- Dow Chemical SILASTIC™ ET-7021 silicone material high transparency and strength
- Field Cut-table (50mm)
- Available in Standard Length 1, 2, 3, 4, 5 M Reels

PRODUCT SPECIFICATIONS

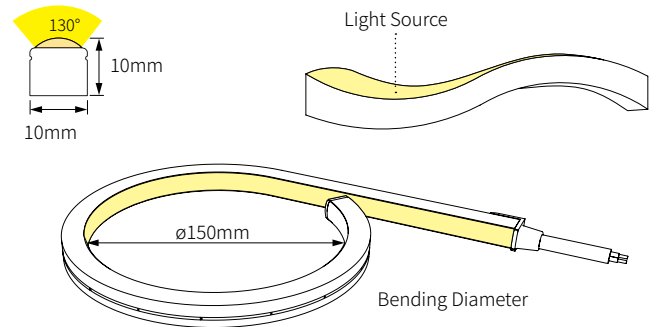
IP Rate	IP67 with Factory Termination (Customized Length Available)
Lamp Power	10 W/m
Power Input	24V DC
Color Rendering	Ra>90
Operating Temperature Ranges	-20°~ 50° (-4°F ~ 122°F)
Maximum Length	5,000 mm
Minimum Length	50 mm
Minimum Bending Diameter	150 mm
Beam Angle	130°
Material	Silicone

SPECIFICATIONS TABLE



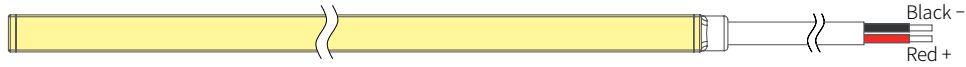
Model Name	Lamp Power	Lumen/W	Luminous Flux (Full Brightness)	Color Temperature
FNX2 21K-24V-C90	10 W/m	56.53 lm/W	565.3 lm	2,100K
FNX2 24K-24V-C90		59.68 lm/W	596.8 lm	2,400K
FNX2 27K-24V-C90		63.02 lm/W	630.2 lm	2,700K
FNX2 30K-24V-C90		67.99 lm/W	679.9 lm	3,000K
FNX2 35K-24V-C90		71.81 lm/W	718.1 lm	3,500K
FNX2 40K-24V-C90		70.85 lm/W	708.5 lm	4,000K

PHYSICAL SPECIFICATIONS

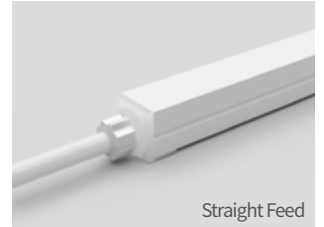
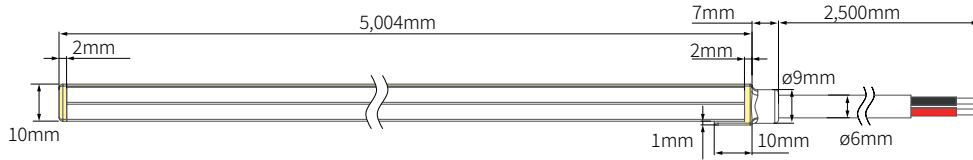


DIMENSIONS

TOP VIEW



SIDE VIEW

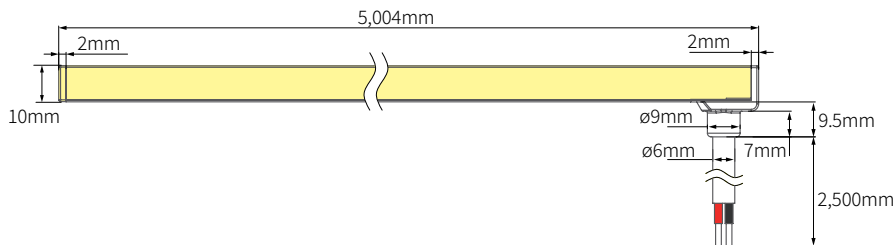


Straight Feed

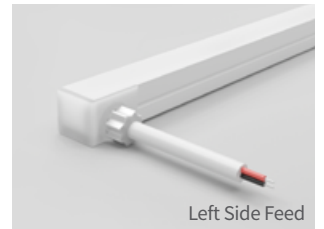
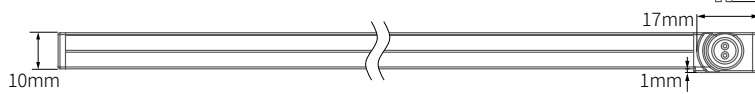
BOTTOM VIEW



TOP VIEW

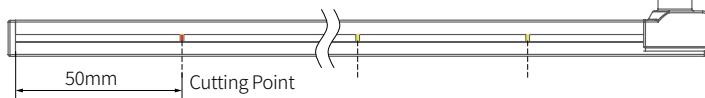


SIDE VIEW

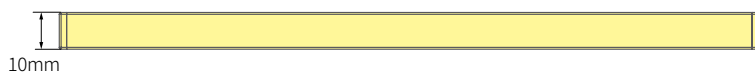


Left Side Feed

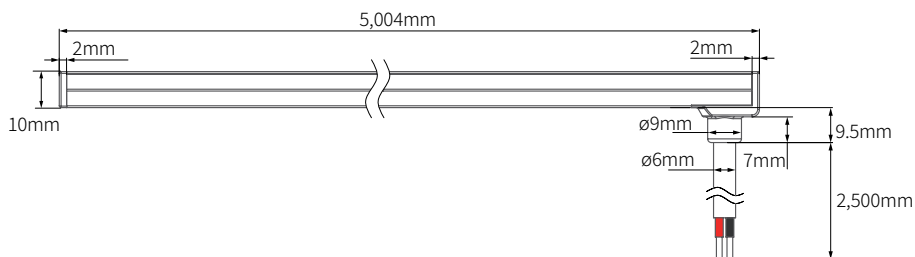
BOTTOM VIEW



TOP VIEW

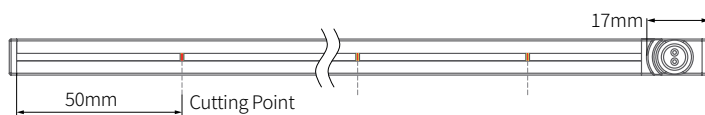


SIDE VIEW

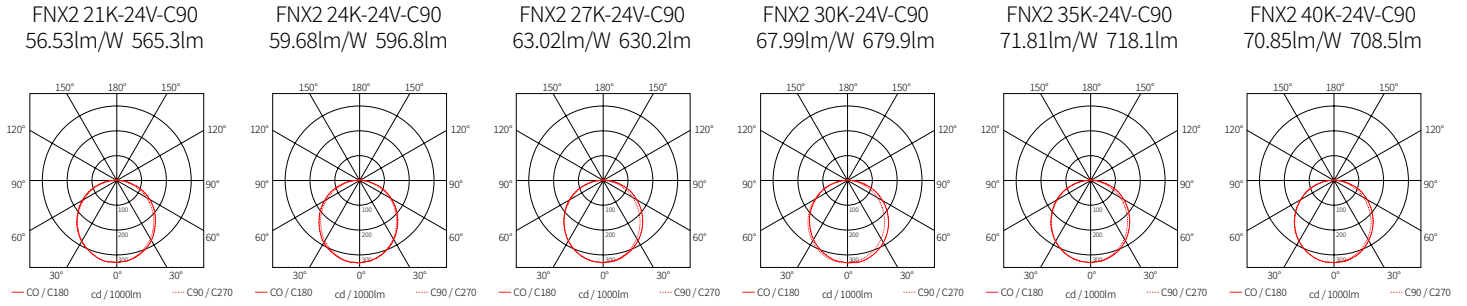


Bottom Feed

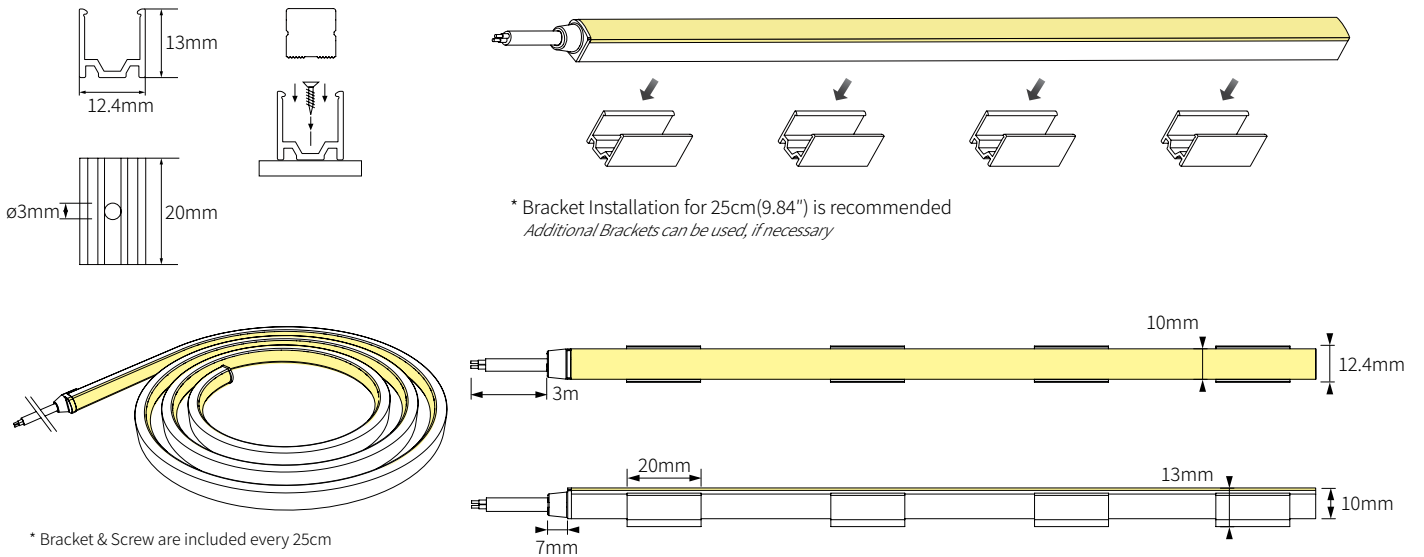
BOTTOM VIEW



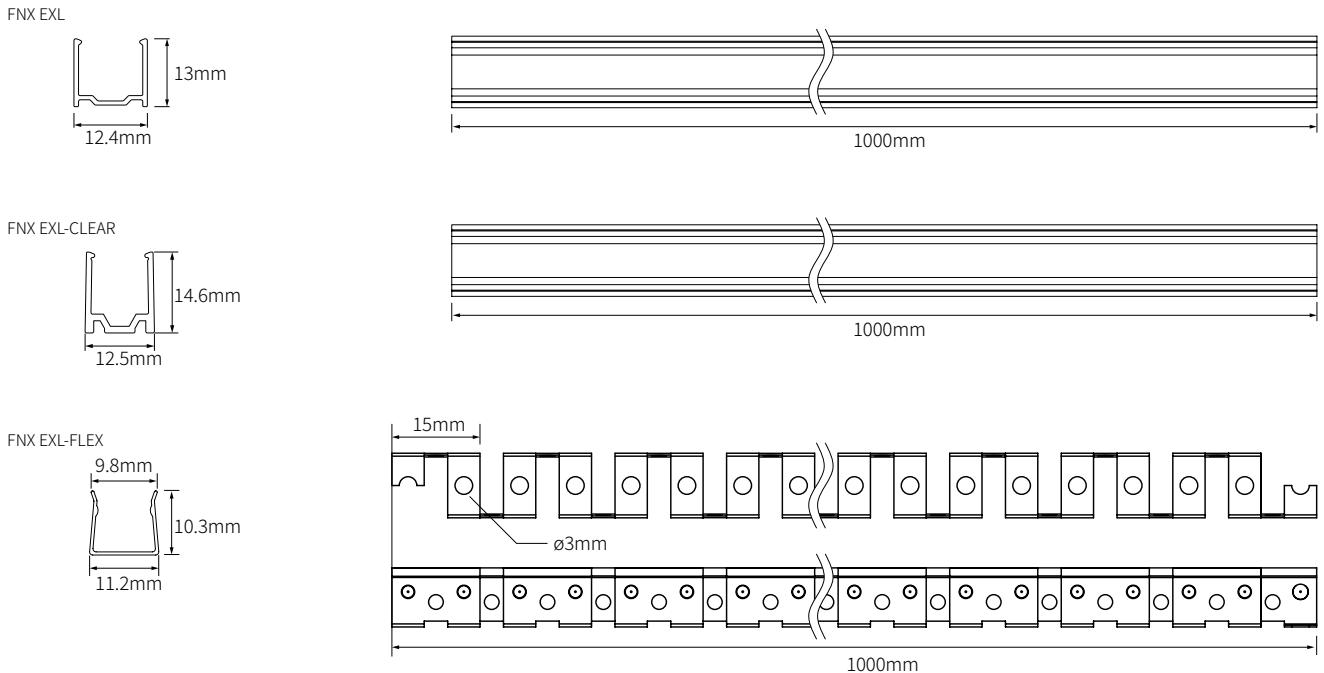
BEAM SPREADS



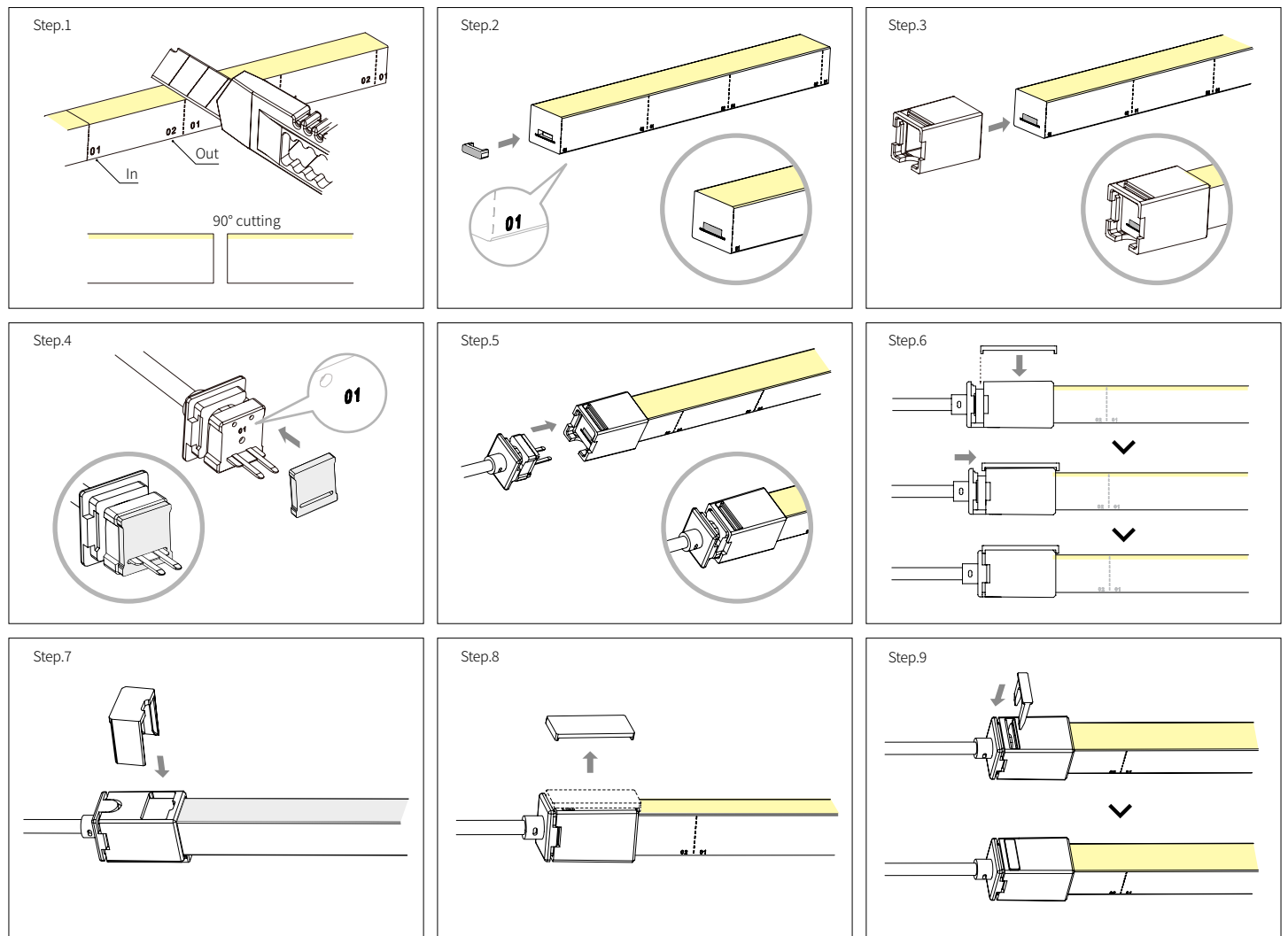
INSTALLATION - Bracket



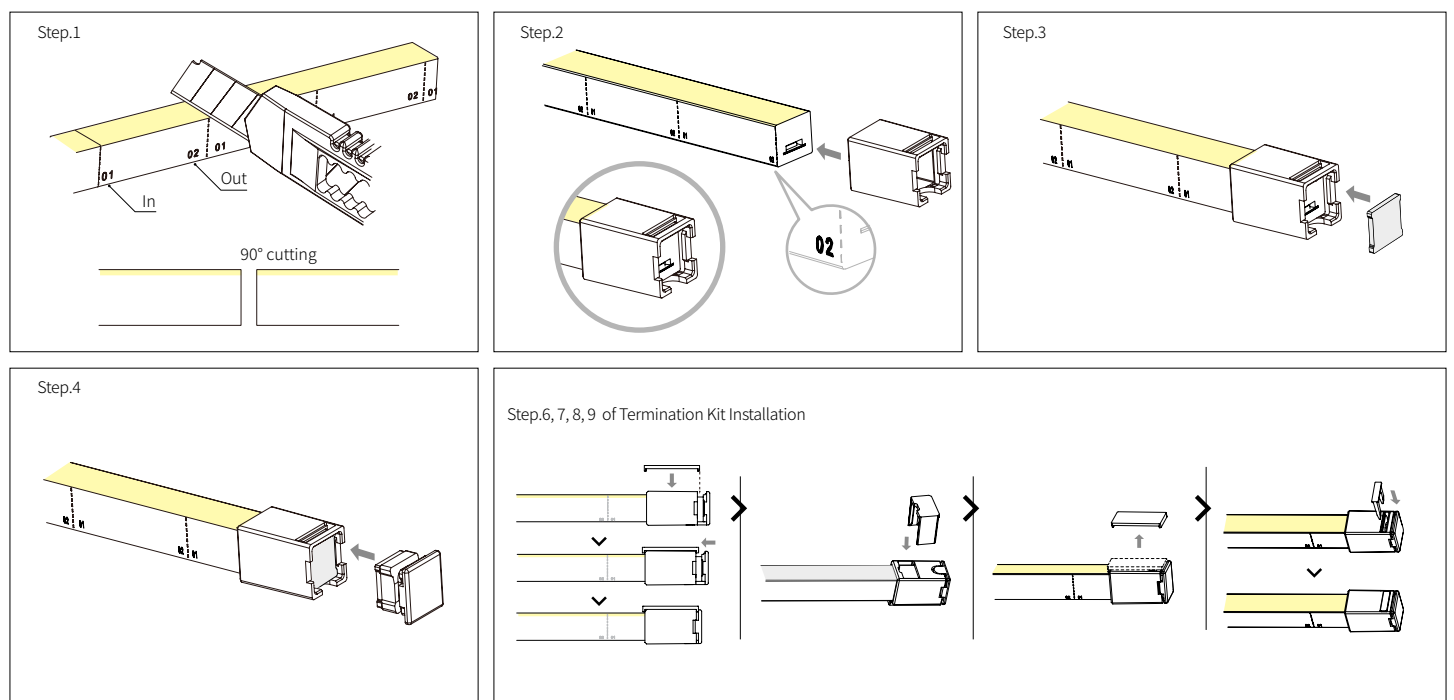
INSTALLATION - Bracket



INSTALLATION - Termination Kit



INSTALLATION - Endcap



COMPONENTS



FLXible Neon eXterior2
 __FNX2-(color)K-24V-C90-5m
 __FNX2-(color)K-24V-C90-4m
 __FNX2-(color)K-24V-C90-3m
 __FNX2-(color)K-24V-C90-2m
 __FNX2-(color)K-24V-C90-1m



Dimming Interface (0-10V)
 __FDC-L10 *
 Max. 100W (100W/CH, 1CH)



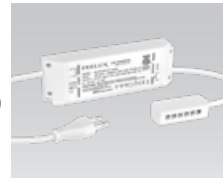
12 Port Hub
 __D12P-HUB
 Included with Cord and Plug drivers. Order separately for Hard Wire or 3rd Party Drivers



FLXible Neon eXterior2 -Left Side Feed
 __FNX2-(color)K-24V-C90-LS-5m
 __FNX2-(color)K-24V-C90-LS-4m
 __FNX2-(color)K-24V-C90-LS-3m
 __FNX2-(color)K-24V-C90-LS-2m
 __FNX2-(color)K-24V-C90-LS-1m



Control Interface (DALI)
 __FDD-L1DA
 Max. 200W (100W/CH, 1CH)



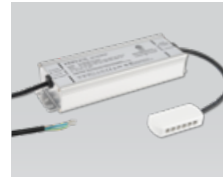
LED Drivers
 __FLC30-24V/T (30W)
 __FLC75-24V/T (75W)
 with distributor and power cord (1,800mm)



FLXible Neon eXterior2 -Bottom Feed
 __FNX2-(color)K-24V-C90-BS-5m
 __FNX2-(color)K-24V-C90-BS-4m
 __FNX2-(color)K-24V-C90-BS-3m
 __FNX2-(color)K-24V-C90-BS-2m
 __FNX2-(color)K-24V-C90-BS-1m



Dimming Interface (DALI)
 __FDA-L2MO
 (0-10V/1-10V, DMX512)
 Max. 200W (100W/CH, 2CH)
 __FDA-L5M (DMX512)
 Max. 200W (50W/CH, 5CH)



LED Driver
 __FLC200-24V/T (200W)
 with 12way distributor



Mounting Brackets
 __FNX-Bracket



Dimming Interface (CASAMBI, Bluetooth)
 __FDD-L2B(Max, 200W)



Extrusion Line
 __FNX-EXL(1,000mm)



Dimming Interface (0-10V/1-10V)
 __FDD-L20



PC Extrusion Line
 __FNX-EXL-Clear(1,000mm)



Flexible Extrusion Line
 __FNX-EXL-FLEX(1,000mm)



Field Termination - Left side feed
 __FNX2-FTKIT



Field Termination - Left side feed
 __FNX2-FTKIT-LS



Field Termination - Bottom feed
 __FNX2-FTKIT-BS



Field Termination - End Cap
 __FNX-ENDCAP