

DATE	PROJECT	LOCATION	TYPE
------	---------	----------	------



PRODUCT FEATURES

- Seamless Spot-Free Illumination
- Ultra Slim Design
- Close Pitch LEDs
- Horizontal Bending Flexibility
- Dimmable
- Optimized for Outdoor Use (IP 67 Rated)
- Dow Chemical SILASTIC™ ET-7021 silicone material high transparency and strength
- Field Cut-table (35.7mm)
- Available in Standard Length 1, 2, 3, 4, 5 M Reels

PRODUCT SPECIFICATIONS

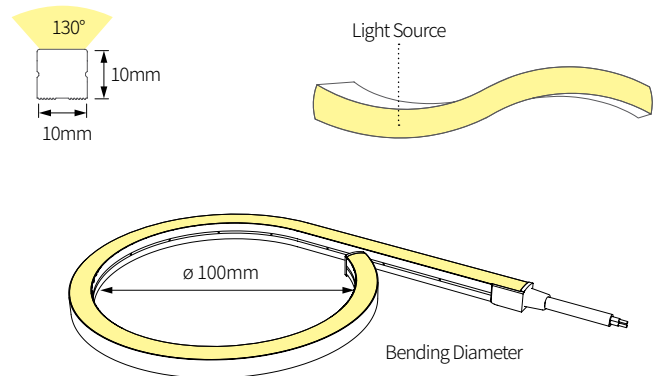
IP Rate	IP67 with Factory Termination (Customized Length Available)
Lamp Power	10 W/m
Power Input	24V DC
Color Rendering	Ra>90
Operating Temperature Ranges	-20°~ 50° (-4°F ~ 122°F)
Maximum Length	4,998 mm
Minimum Length	35.7 mm
Minimum Bending Diameter	100 mm
Beam Angle	130°
Material	Silicone

SPECIFICATIONS TABLE

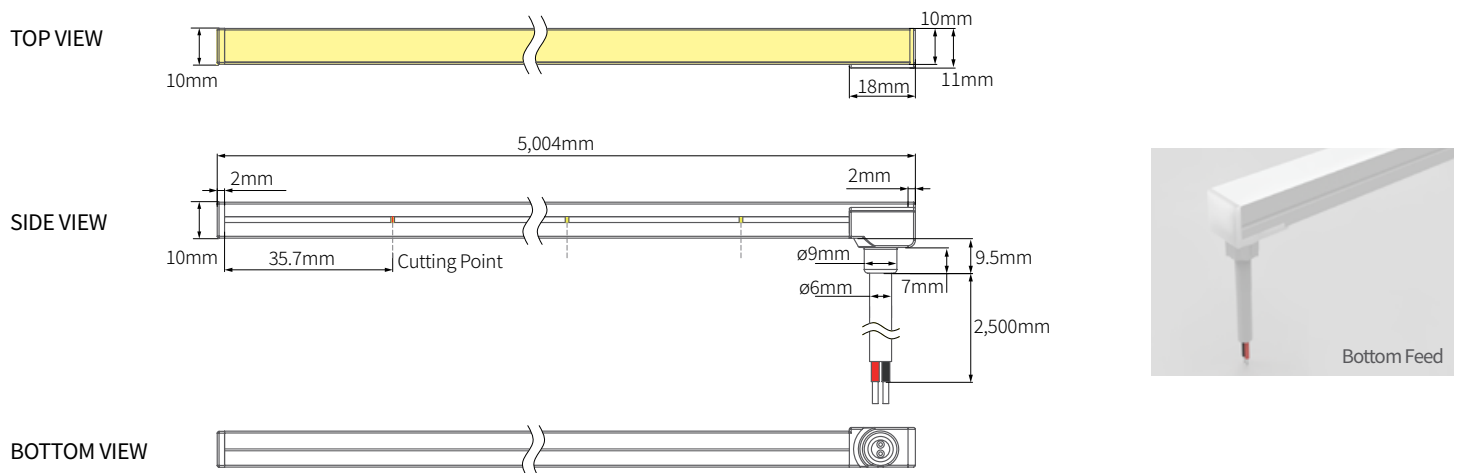
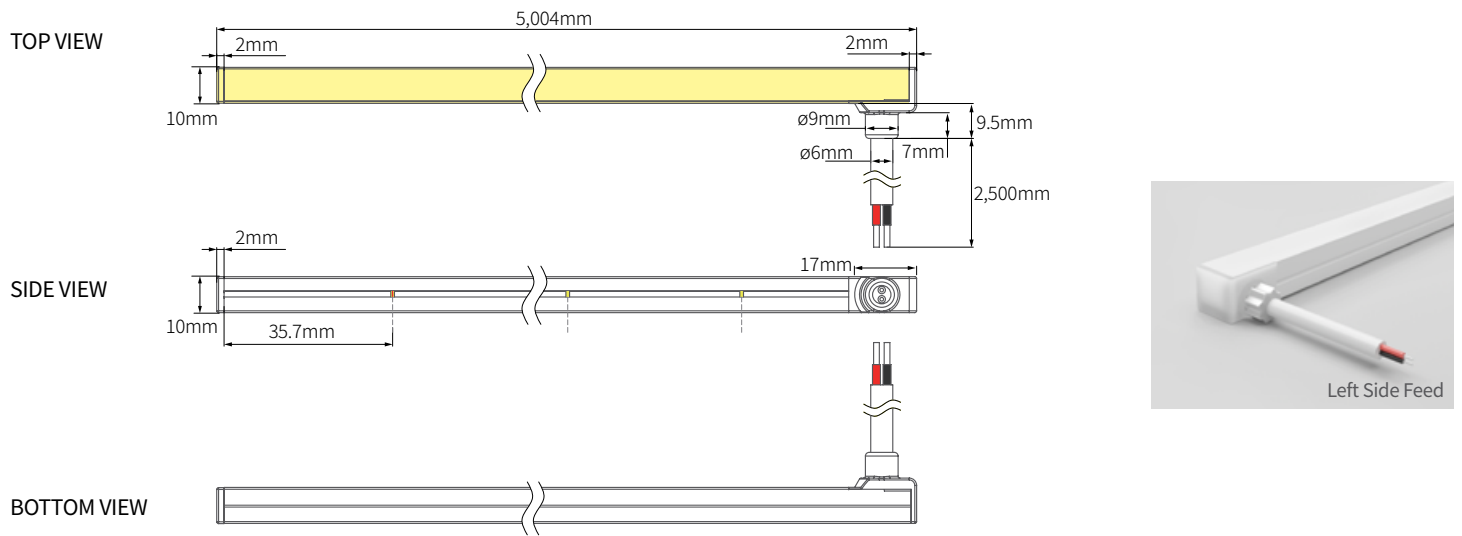
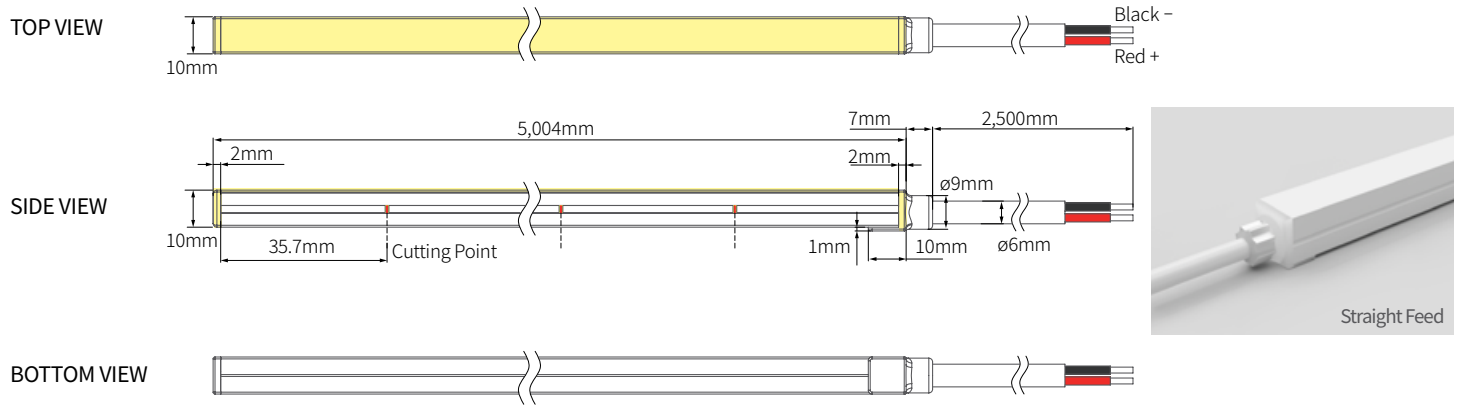


Model Name	Lamp Power	Lumen/W	Luminous Flux (Full Brightness)	Color Temperature
FNX1 21K-24V-C90	10 W/m	60.18 lm/W	601.8 lm	2,100K
FNX1 24K-24V-C90		60.92 lm/W	609.2 lm	2,400K
FNX1 27K-24V-C90		66.56 lm/W	665.6 lm	2,700K
FNX1 30K-24V-C90		70.15 lm/W	701.5 lm	3,000K
FNX1 35K-24V-C90		71.17 lm/W	711.7 lm	3,500K
FNX1 40K-24V-C90		72.46 lm/W	724.6 lm	4,000K

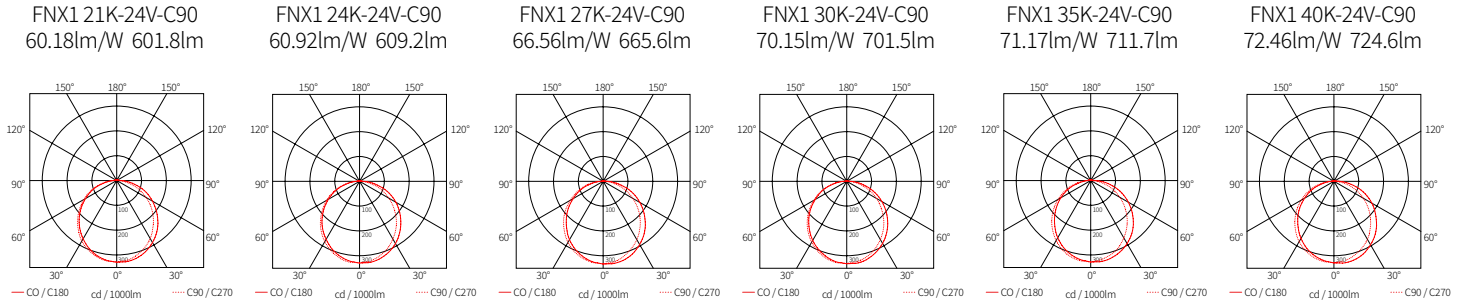
PHYSICAL SPECIFICATIONS



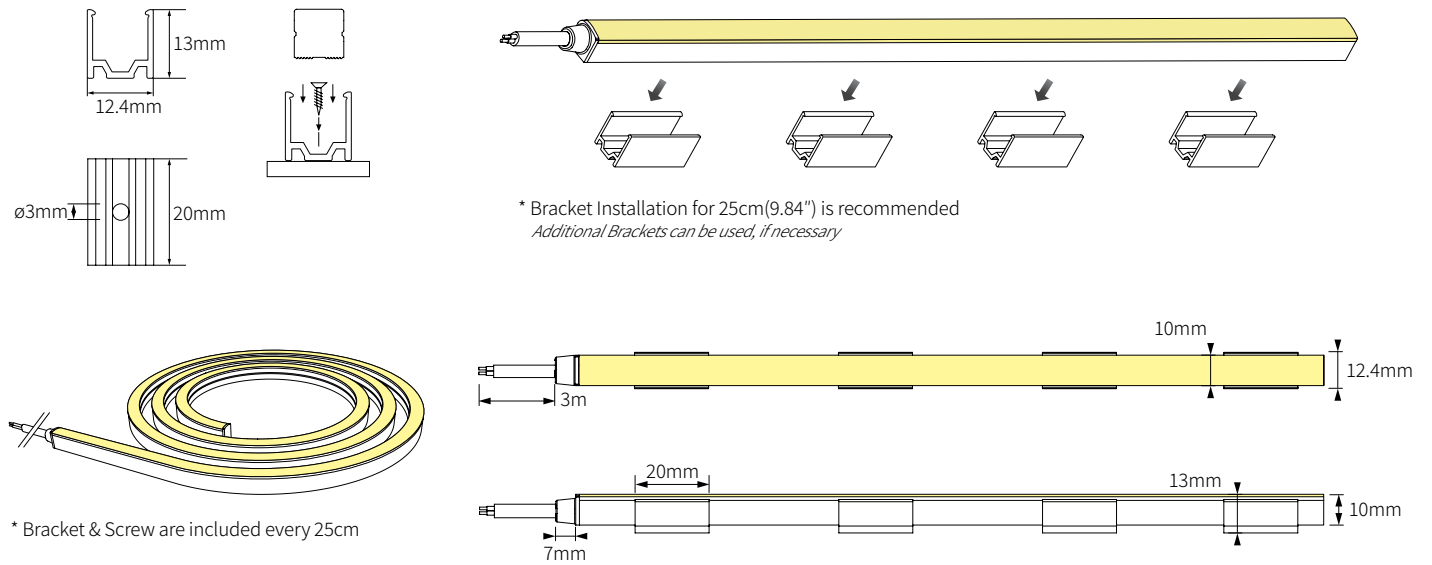
DIMENSIONS



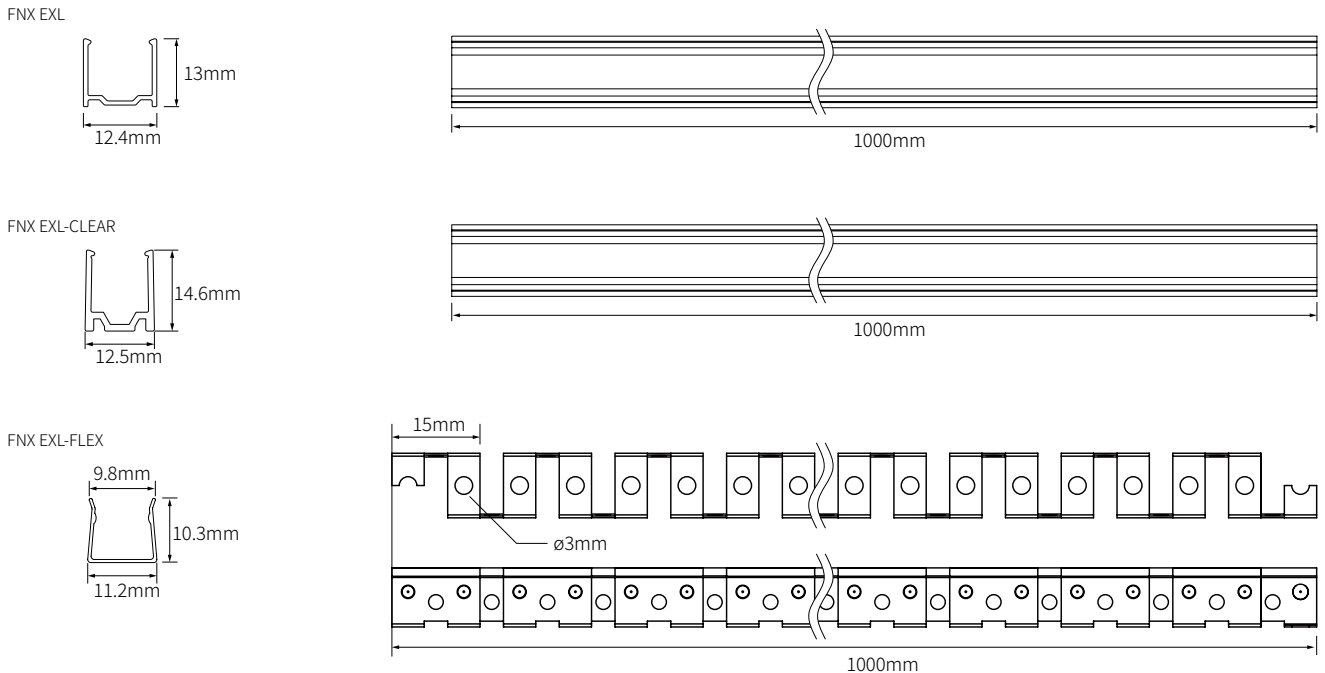
BEAM SPREADS



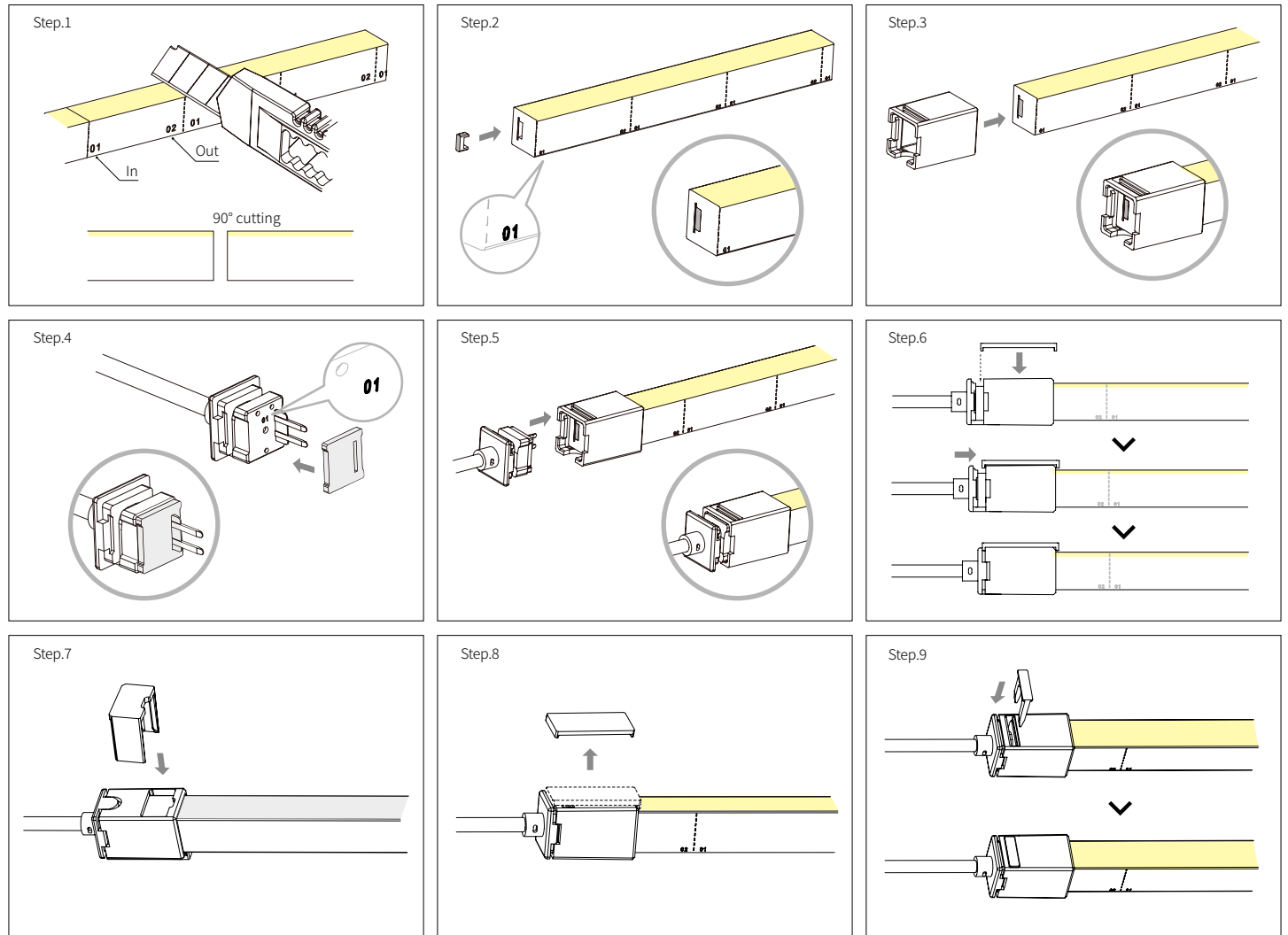
INSTALLATION - Bracket



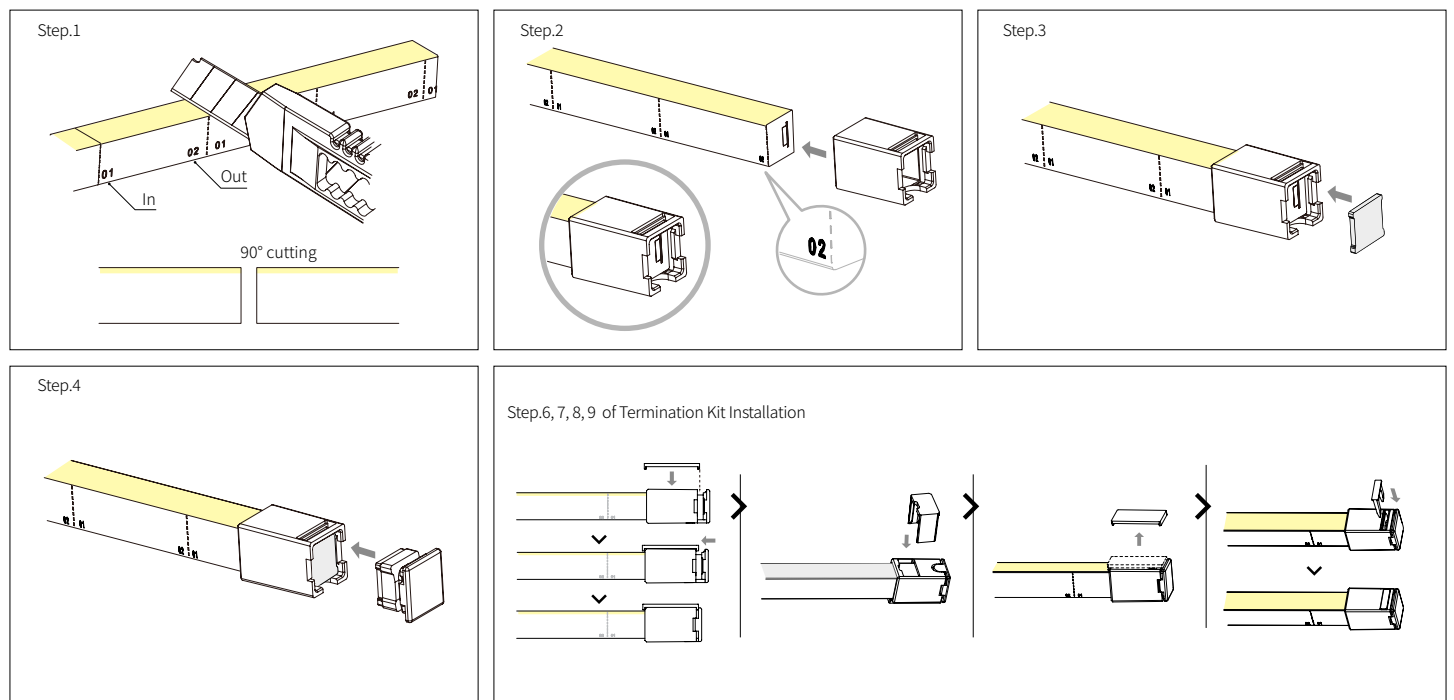
INSTALLATION - Extrusion



INSTALLATION - Termination Kit



INSTALLATION - Endcap



COMPONENTS



FLXible Neon eXterior1
 __FNX1-(color)K-24V-C90-5m
 __FNX1-(color)K-24V-C90-4m
 __FNX1-(color)K-24V-C90-3m
 __FNX1-(color)K-24V-C90-2m
 __FNX1-(color)K-24V-C90-1m



Dimming Interface (0-10V)
 __FDC-L10 *
 Max. 100W (100W/CH, 1CH)



12 Port Hub
 __D12P-HUB
 Included with Cord and Plug drivers. Order separately for Hard Wire or 3rd Party Drivers



FLXible Neon eXterior1 -Left Side Feed
 __FNX1-(color)K-24V-C90-LS-5m
 __FNX1-(color)K-24V-C90-LS-4m
 __FNX1-(color)K-24V-C90-LS-3m
 __FNX1-(color)K-24V-C90-LS-2m
 __FNX1-(color)K-24V-C90-LS-1m



Control Interface (DALI)
 __FDD-L1DA
 Max. 200W (100W/CH, 1CH)



LED Drivers
 __FLC30-24V/T (30W)
 __FLC75-24V/T (75W)
 with distributor and power cord (1,800mm)



FLXible Neon eXterior1 -Bottom Feed
 __FNX1-(color)K-24V-C90-BS-5m
 __FNX1-(color)K-24V-C90-BS-4m
 __FNX1-(color)K-24V-C90-BS-3m
 __FNX1-(color)K-24V-C90-BS-2m
 __FNX1-(color)K-24V-C90-BS-1m



Dimming Interface
 __FDA-L2MO (0-10V/1-10V, DMX512)
 Max. 200W (100W/CH, 2CH)
 __FDA-L5M (DMX512)
 Max. 200W (50W/CH, 5CH)



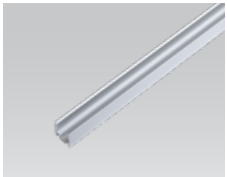
LED Driver
 __FLC200-24V/T (200W)
 with 12way distributor



Mounting Brackets
 __FNX-Bracket



Dimming Interface (CASAMBI, Bluetooth)
 __FDD-L2B(Max, 200W)



Extrusion Line
 __FNX-EXL(1,000mm)



Dimming Interface (0-10V/1-10V)
 __FDD-L20



PC Extrusion Line
 __FNX-EXL-Clear(1,000mm)



Flexible Extrusion Line
 __FNX-EXL-FLEX(1,000mm)



Field Termination
 __FNX1-FTKIT



Field Termination - Left side feed
 __FNX1-FTKIT-LS



Field Termination - Bottom feed
 __FNX1-FTKIT-BS



Field Termination - End Cap
 __FNX-ENDCAP