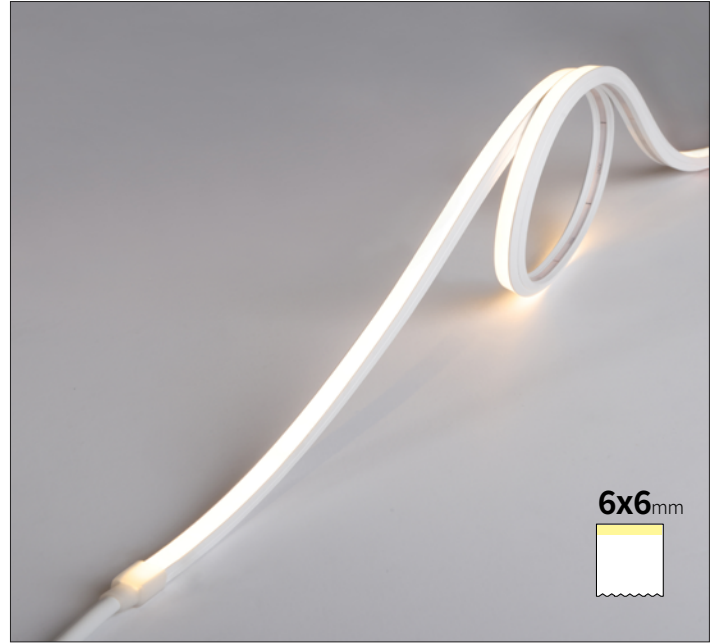


DATE PROJECT LOCATION TYPE



## PRODUCT FEATURES

- Seamless Diode Free Illumination
- Ultra Slim
- Field Cut 33.3mm (1.31")
- Bend Direction Vertical
- Dimmable
- IP65 for Interior and Exterior Applications
- Available in Standard Lengths of 1,2,3,4,5M Reels

## PRODUCT SPECIFICATIONS

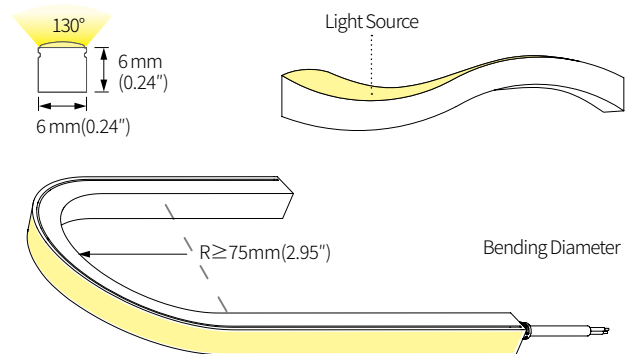
IP Rate	IP65
Lamp Power	7.2 W/m
Power Input	24V DC
Color Rendering	Ra>90
Operating Temperature Ranges	-20°C to 50°C
Maximum Length	5,000mm (16.4')
Minimum Length	33.3mm (1.31")
Minimum Bending Diameter	75mm(2.95")
Beam Angle	130°
Material	Silicon

## SPECIFICATIONS TABLE



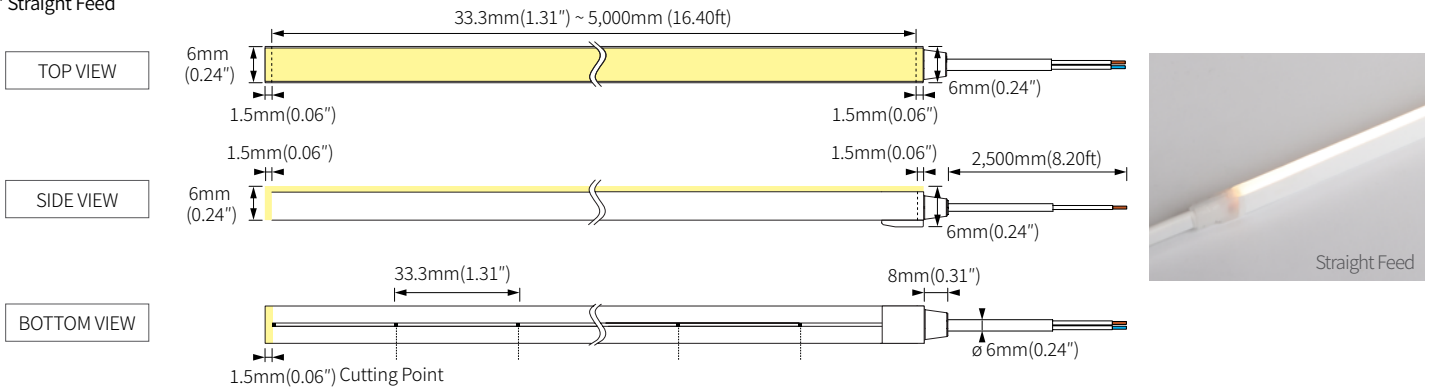
Model Number	Color	Lamp Power	Luminous Flux (lm/m)	Lumen/W
FNN2 22K-24V-C90	2200K	7.2W/m	488.3 lm/m	67.8 lm/W
FNN2 24K-24V-C90	2400K		497.2 lm/m	69 lm/W
FNN2 27K-24V-C90	2700K		540.1 lm/m	75 lm/W
FNN2 30K-24V-C90	3000K		549.8 lm/m	76.4 lm/W
FNN2 35K-24V-C90	3500K		585.3 lm/m	81.3 lm/W
FNN2 40K-24V-C90	4000K		581.6 lm/m	80.7 lm/W

## PHYSICAL SPECIFICATIONS



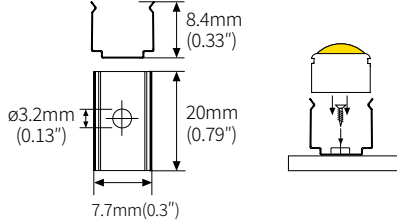
## DIMENSIONS

### \* Straight Feed

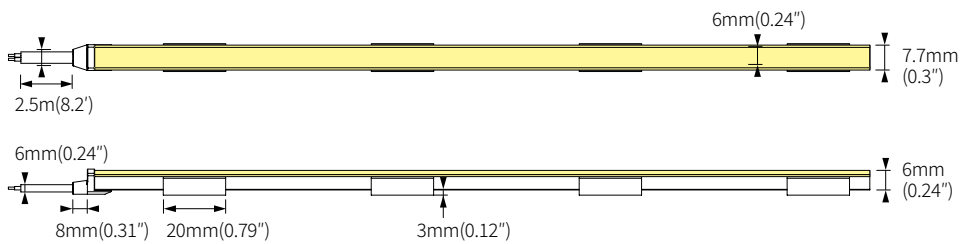
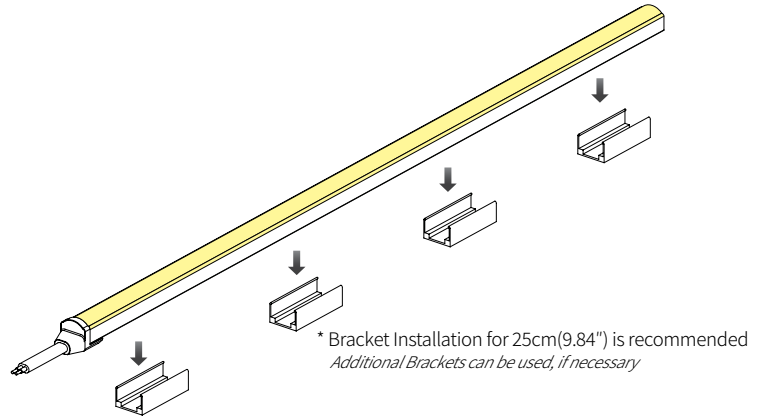
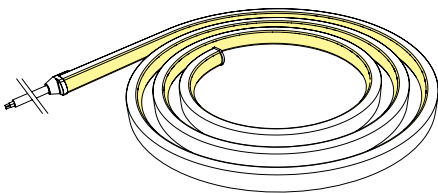


## INSTALLATION

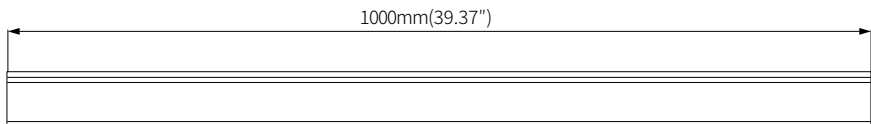
### \* Bracket



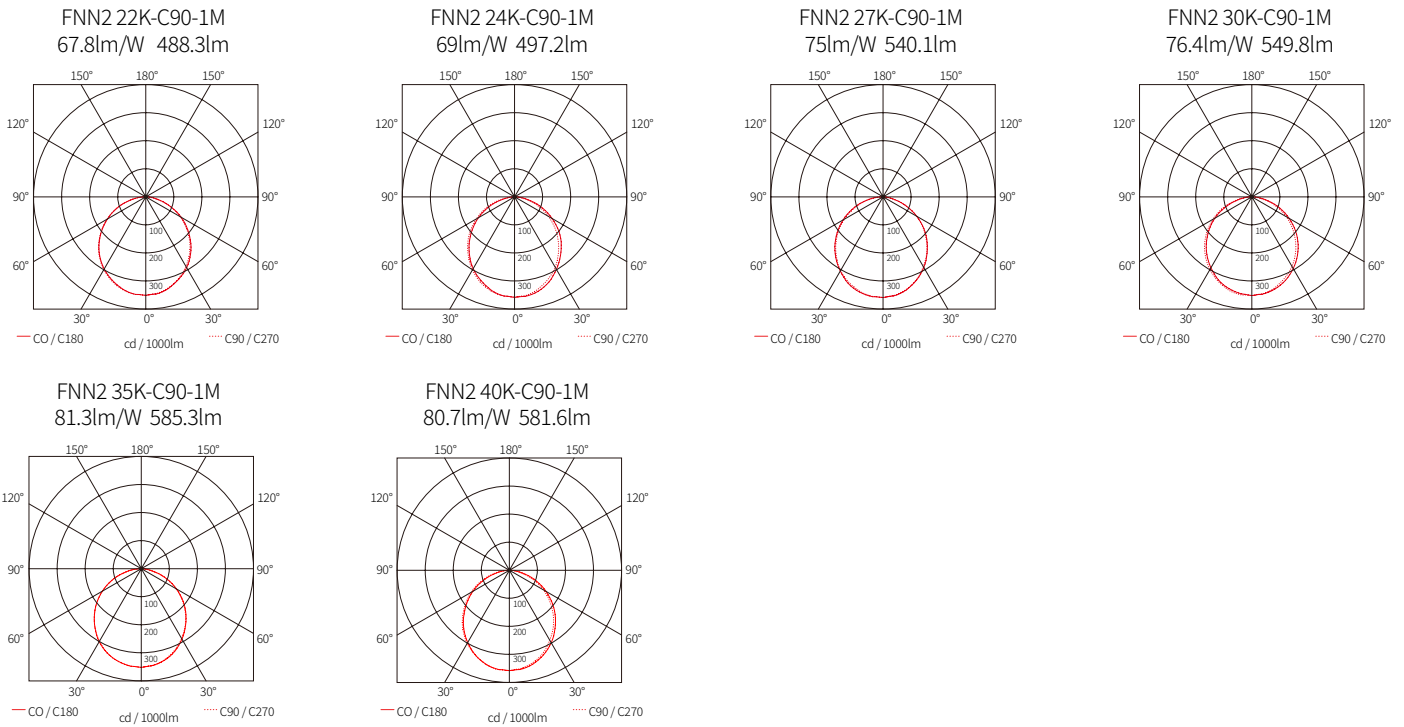
### \* Bracket & Screw are included every 25cm (9.84")



### \* Extrusion Line



## BEAM SPREADS

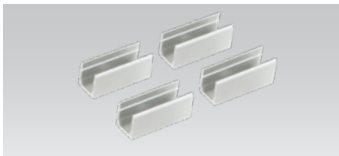


## COMPONENTS



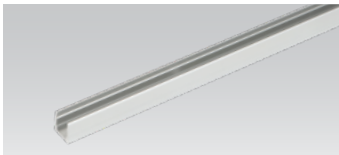
### FN2 Narrow

- \_\_ FNN2-(color)K-24V-C90-5M
- \_\_ FNN2-(color)K-24V-C90-4M
- \_\_ FNN2-(color)K-24V-C90-3M
- \_\_ FNN2-(color)K-24V-C90-2M
- \_\_ FNN2-(color)K-24V-C90-1M



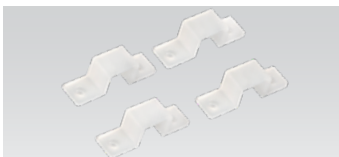
### Mounting Brackets

- \_\_ FNN2-BRACKET1



### FNN2 Extrusion Line

- \_\_ FNN2-EXL (1,000mm)



### Strap

- \_\_ FNN2-Strap
- \*Order Separately



### End Cap

- \_\_ FNN2-End Cap
- \*Order Separately



### 12 Port Hub

- \_\_ 12 Way distributor
- Included with Cord and Plug drivers. Order separately for 3rd Party Drivers



### LED Drivers

- \_\_ FLC30-24V/T (30W)
- \_\_ FLC75-24V/T (75W)
- with distributor and power cord 1,800mm



### LED Driver

- \_\_ FLC200-24V/T (200W)
- with 12way distributor



### Dimming Interface (0-10V/1-10V)

- \_\_ FDC-L10 (Max. 100W)



### Dimming Interface

- \_\_ FDA-L2MO (0-10V/1-10V, DMX512)
- Max. 200W (100W/CH, 2CH)
- \_\_ FDA-L5M (DMX512)
- Max. 200W (50W/CH, 5CH)



### Dimming Interface (Dail)

- \_\_ FDD-L1DA
- Max. 200W (100W/CH, 1CH)